

# P311 L-EFT

Langer EFT 电压发生器 (~140V)



## Short description

P311 L-EFT型电压发生器用于耦合受测集成电路导线中的脉冲电压。与IEC 61000-4-2/IEC61000-4-4标准检测相仿，它再现了IC输入端出现的衰减的干扰电压脉冲。在检测时，这些干扰电压脉冲是由电场生成的。

If the electric field couples into the cable network of an IC to be tested, the voltage of the connected impedances will drop. This voltage drop applies at the IC pin can lead to interferences.

The coupling behaviour can be simulated by a high-ohm pulse voltage source. Therefore the P311 has a high internal resistance. The pulse voltage is adjustable in the range  $\pm (5 - 140)V$ .

The probe is operated by the BPS 201 burst power station and the BPS-Client control software.

The measuring station of the IC to be tested needs the ICE1 test environment. Depending on the measuring task additional equipment is required (oscilloscope, PC).

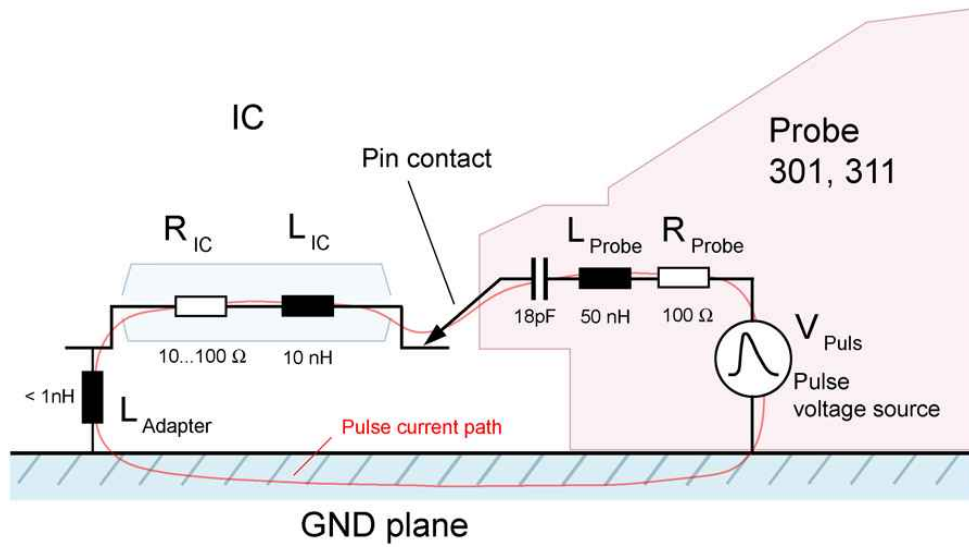
## Technical parameters

内阻	$\approx 100 \Omega$
耦合电容的容量	18 pF
脉冲参数	
形状	1.5 / 20 ns
频率	0.1 Hz - 20 kHz
电压	$\pm(5 - 140) V$
电感	50 nH
尺寸(L x W x H)	(76 x 35 x 31) mm

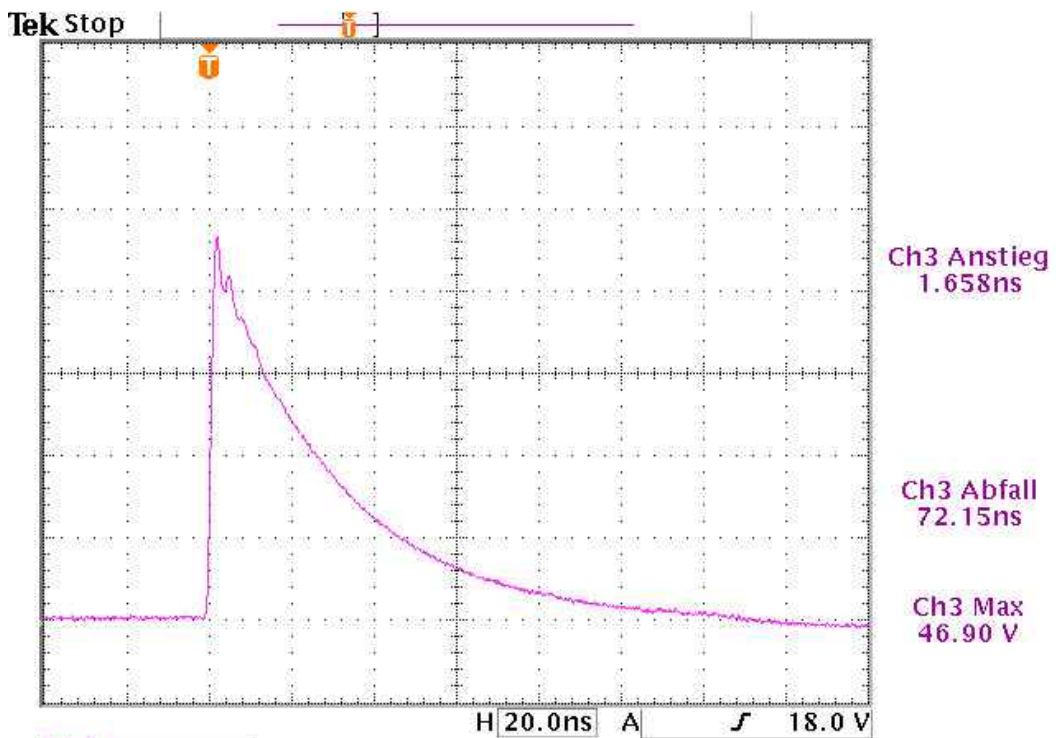
# P311 L-EFT

Langer EFT 电压发生器 (~140V)

## 等效电路图



## 脉冲形状 (实测)

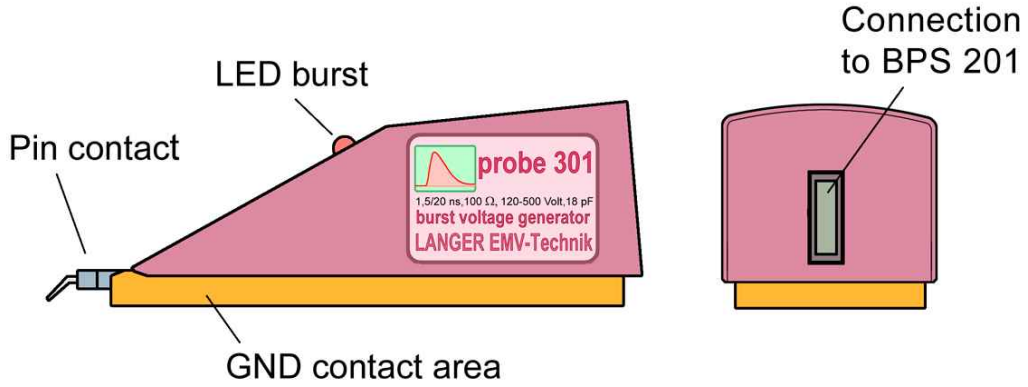


# P311 L-EFT

Langer EFT 电压发生器 (~140V)



安装视图 01



Measurement set up

