

P201 L-EFT

Langer EFT 电流发生器 (~40V)



Short description

P201 L-EFT型电流发生器用于耦合受测集成电路导线中的脉冲电流。与IEC 61000-4-2/IEC61000-4-4标准检测相仿，它再现了IC输入端出现的衰减的干扰电流脉冲。在检测时，这些干扰电流脉冲是由磁场生成的。

If the magnetic field couples into a low-ohm conductor loop at an IC pin of a test IC, a voltage will be induced. This voltage drives a disturbance current pulse into the IC pin and can lead to interferences.

The coupling behaviour can be simulated by a low-ohm pulse voltage source. Therefore the P201 has a low internal resistance. The pulse voltage is adjustable in the range \pm (4.5 - 40) V.

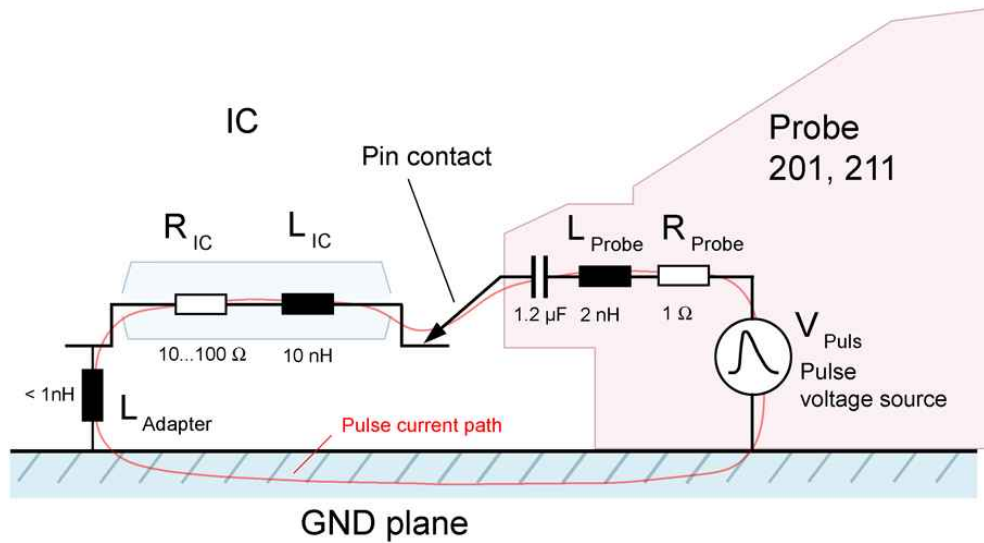
The probe is operated by the BPS 201 burst power station and the BPS-Client control software.

The measuring station of the test IC needs the ICE1 test environment. Depending on the measuring task additional equipment is required (Oscilloscope, PC).

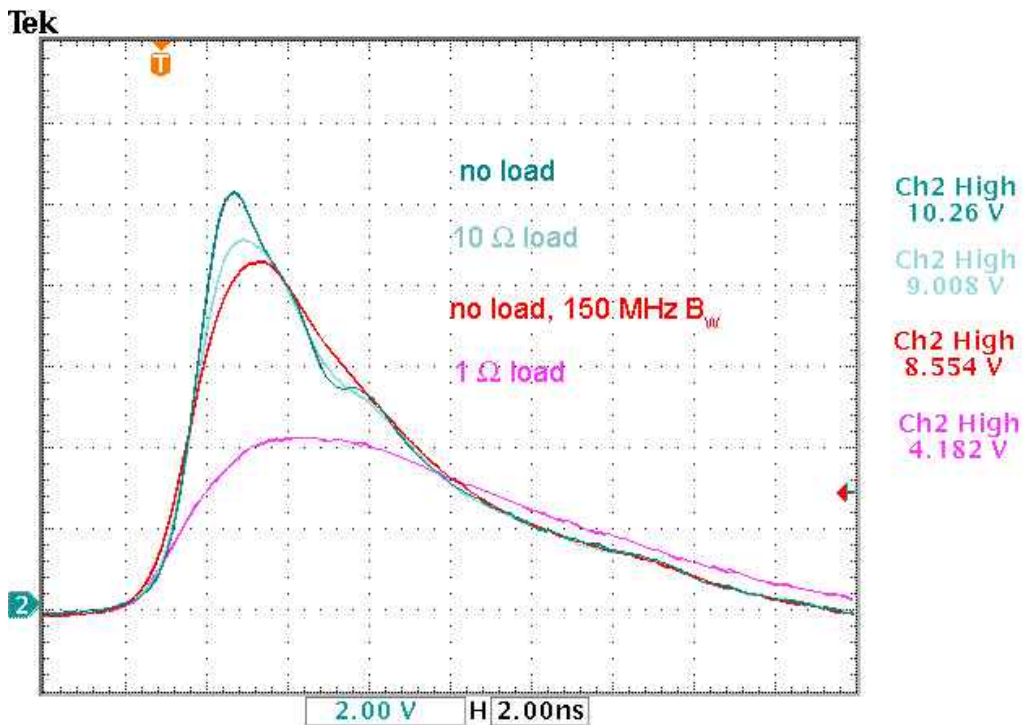
Technical parameters

内阻	$\approx 1 \Omega$
耦合电容的容量	1.2 μ F
脉冲参数	
形状	1.5 / 5 ns
频率	0.1 Hz - 20 kHz
电压	\pm (5 - 40) V
电感	≈ 2 nH
尺寸 (L x W x H)	(78 x 35 x 31) mm

等效电路图



脉冲形状 (实测)

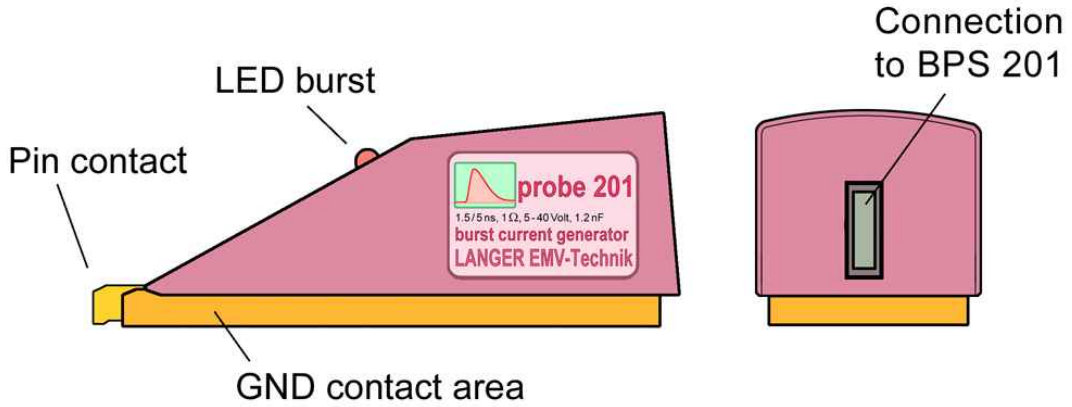


P201 L-EFT

Langer EFT 电流发生器 (~40V)



安装视图 01



Measurement set up

