

# P750

RF Voltage Probe 150 Ohm



## Short description

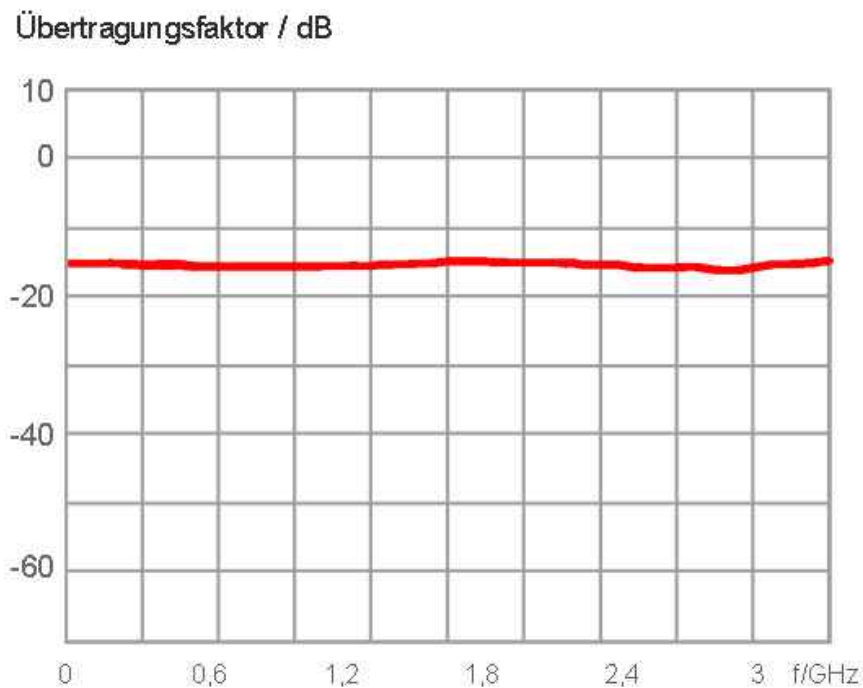
The P750 RF voltage probe corresponds to a 150 ohm coupling network according to IEC 61967-4 for the RF voltage measurement at IC pins.

The P750 probe has of a high resistance, capacitive coupled input. RF voltages can be measured at different pins of the device under test.

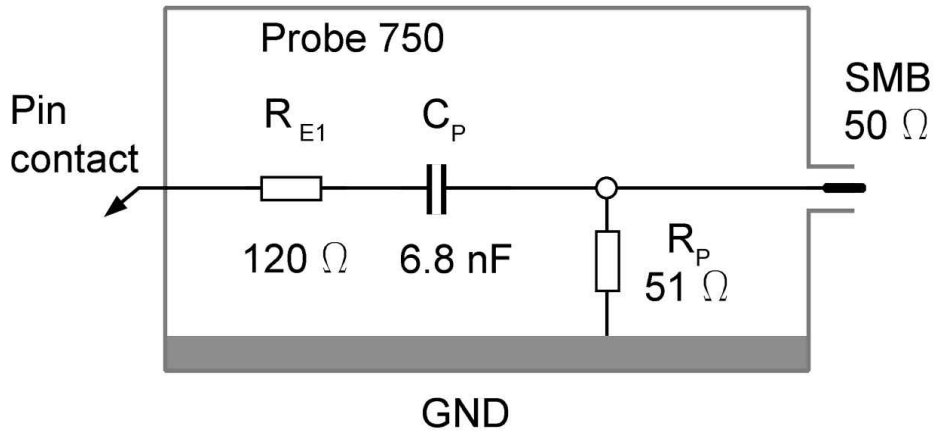
## Technical parameters

Frequency range	150 kHz ... 3 GHz
Input resistance	150 $\Omega$
Measuring output	50 $\Omega$ , SMB
Transfer factor voltage	-15.2 dB
Max. input voltage DC	50 V
Max. input voltage RF	3.5 V

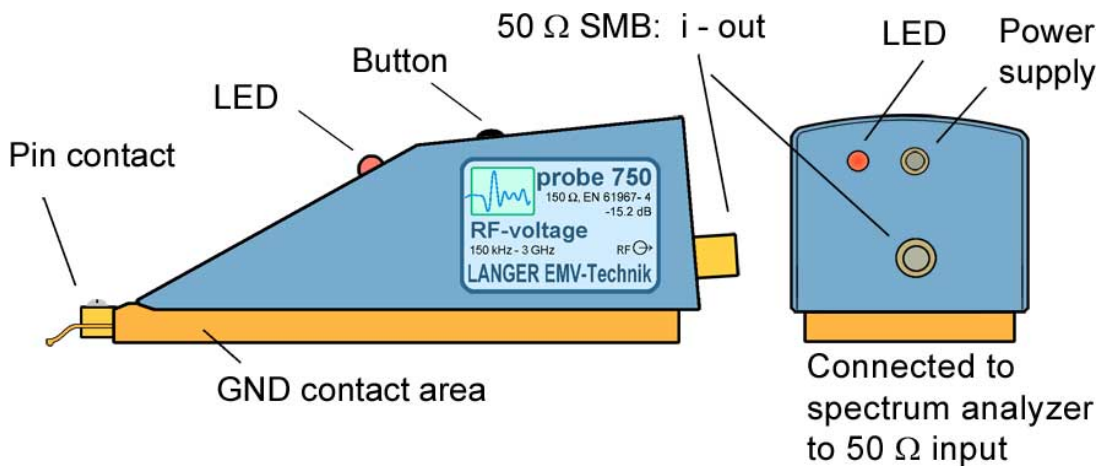
## Frequency response



Equivalent circuit



Design, view 1



# P750

RF Voltage Probe 150 Ohm

## Application with P750

