

P301 L-EFT

Voltage Generator up to 500 V Langer Pulse 1.5/20 ns



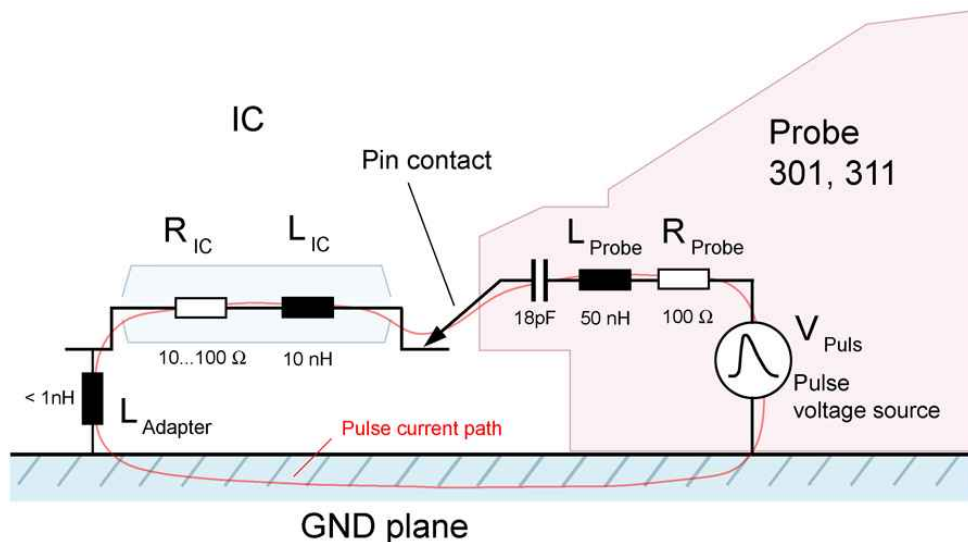
Short description

The probe is used to couple in grip bounded pulse current into the IC to be tested. It simulates attenuated disturbance current pulses at the IC input resulting from tests according to IEC 61000-4-2 / ICE 61000-4-4. During a test, disturbance current pulses can result above the magnetic fields .

Technical parameters

Internal resistance	$\approx 100 \Omega$
Coupling capacity	18 pF
Pulse parameter	
Shape	1.5 / 20 ns
Frequency	0.1 Hz - 15 kHz
Voltage	$\pm (130 - 500) V$
Inductance	50 nH
Sizes (L x W x H)	(76 x 35 x 31) mm

Equivalent circuit

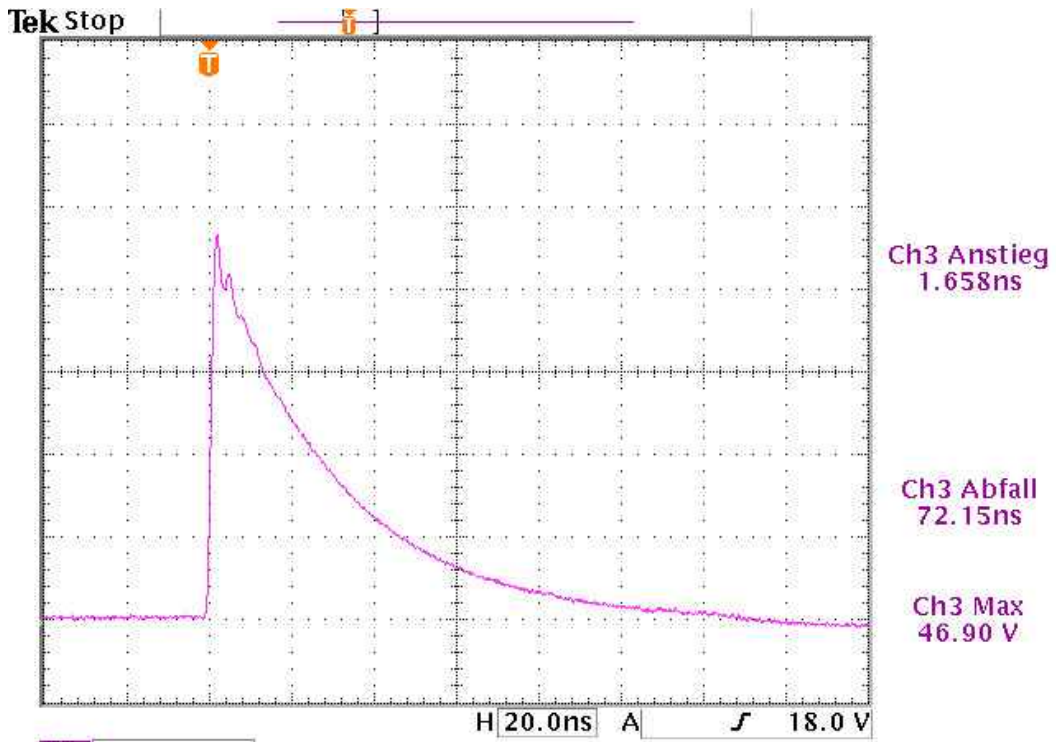


P301 L-EFT

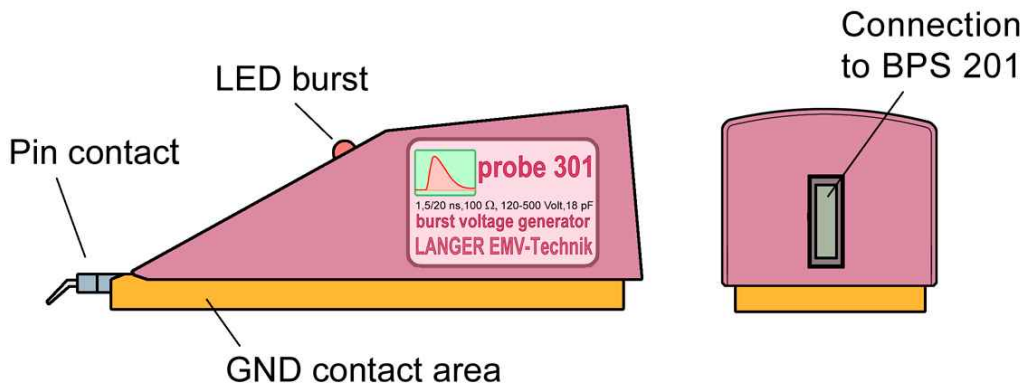
Voltage Generator up to 500 V Langer Pulse 1.5/20 ns



Pulse shape (measured)



Design, view 1



P301 L-EFT

Voltage Generator up to 500 V Langer Pulse 1.5/20 ns

Measurement set up

